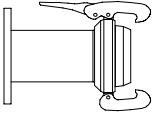
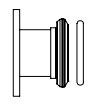
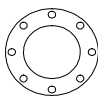
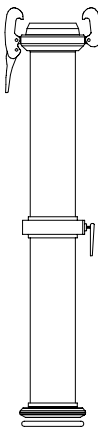
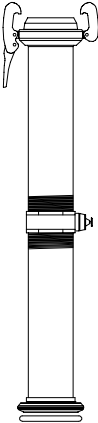




**QUICK DISCONNECT**  
**COUPLINGS, FITTINGS, AND**  
**ADAPTORS**

**FLANGE FITTINGS AND VALVE ASSEMBLIES**

	<u>DESCRIPTION</u>	<u>PART NUMBER</u>	<u>WEIGHT</u>	<u>PRICE</u>
	3" Flange Ball/ Male Discharge	8007719	8lbs	Call
	4" Flange Ball/ Male Discharge	8000406	13lbs	Call
	6" Flange Ball/ Male Discharge	8000611	25lbs	Call
	8" Flange Ball/ Male Discharge	8000811	36lbs	Call
	3" Flange Socket/ Female Suction	8002251	4lbs	Call
	4" Flange Socket/ Female Suction	8000403	6lbs	Call
	6" Flange Socket/ Female Suction	8000606	14lbs	Call
	8" Flange Socket/ Female Suction	8000806	22lbs	Call
	3" Flange Gasket Neoprene	8004985		Call
	4" Flange Gasket Neoprene	8005761		Call
	6" Flange Gasket Neoprene	8003911		Call
	8" Flange Gasket Neoprene	8003062		Call
	10" Flange Gasket Neoprene	8006331		Call
	3" Flange Butterfly Valve Assembly	8000934	23lbs	Call
	4" Flange Butterfly Valve Assembly	8001745	34lbs	Call
	6" Flange Butterfly Valve Assembly	8004295	62lbs	Call
	8" Flange Butterfly Valve Assembly	8001564	93lbs	Call
	2" Threaded Gate Valve Assembly	8009177	6lbs	Call
	3" Threaded Gate Valve Assembly	8004709	14lbs	Call
	4" Threaded Gate Valve Assembly	8002556	25lbs	Call

All sockets include standard O-ring.