

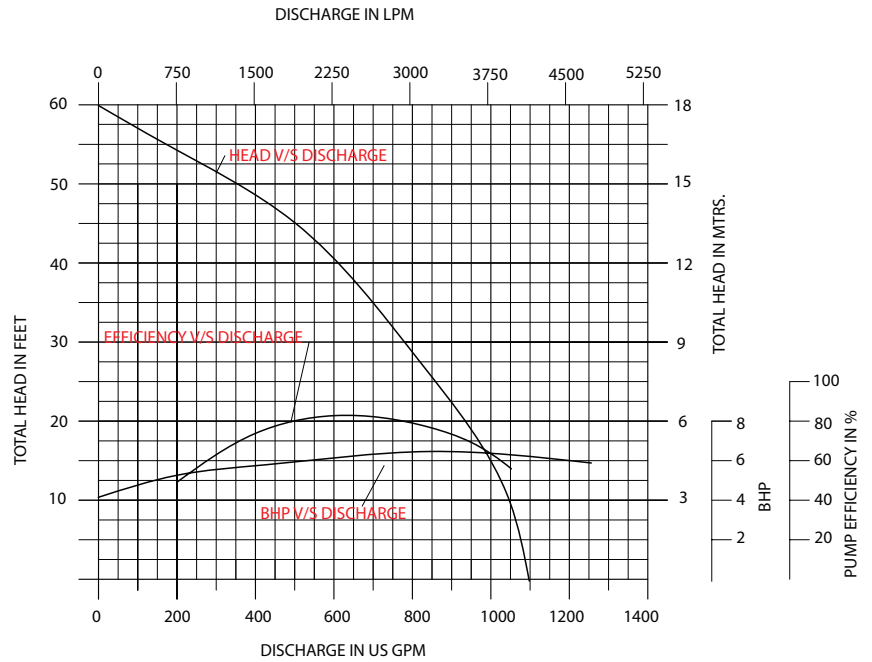
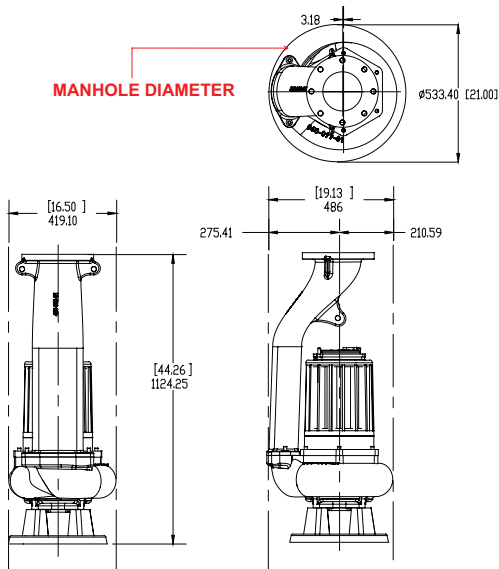
6GSUBMT10
HIGH VOLUME
TRASH



Global Pump[®] portable electric submersible pumps are ideal for mobile wet pit sewer bypass operations.

The Model 6GSUBMT10 pump with 6" (150 mm) NPT a 10 hp (7.5 kW) motor is ideal for high volume, low head applications.

FEATURES	OPTIONS
Single channel impellers hydronamically balanced with improved flow pattern for a virtually clog-free pump	Moisture sensor available to detect progressive seal wear
Integral cast cooling fins on motor casing with large surface area for efficient heat dissipation and low temperature rise	
Nitride hardened 410 stainless steel impeller for abrasive applications	
Shrink fitted stators and short shaft overhang to facilitate cooling	
Tungsten carbide/tungsten carbide upper and lower mechanical seals	
Primer with epoxy surface treatment that is coated with black chloric paint for maximum corrosion resistance	



SPECIFICATIONS	
Size	6" (150 mm)
Power	10 hp (7.5 kW)
Max Flow	1100 gpm (250 m ³ /h)
Max Head	60' (18 m)
Motor	4-pole induction continuous rated motor with squirrel cage rotor. Bi-metallic switches (thermal) embedded in stator winding to protect against overheating. Stator insulation class 'H' (180°C)
Speed (motor)	1,700 RPM @ 60 Hz, 1,450 RPM @ 50 Hz
Power Rating (motor)	10 hp @ 60 Hz, 7.5 kW @ 50 Hz Full Load
Current FLA (motor)	14 Amps @ 460v, 16 Amps @ 400v Three Phase; 19 Amps @ 115v, 10 Amps @ 220v Single Phase
Solids Handling	3" (75 mm)
Max. temperature of the pump liquid (motor)	104°F/40°C
Max. start/stop per hour (motor)	15
Power Supply	3 phase, 50/60 Hz, AC Supply. Available in any voltage frequency combination (208/220/230/380/415/460/575/1,000V)
Power Cable	50' (15 m) length standard
pH Range	6 - 11
Submergence	Submergence below liquid surface max. 30' (10 m)

PUMP MATERIAL	
Outer Casing	Cast Alloy Steel ASTM A487
Impeller	Cast Iron ASTM A48 Class 30 (FG220)
O-rings	Nitrile rubber
Hardware	304 Stainless Steel
Shaft	431 Stainless steel
Mechanical Seals	Tandem tungsten carbide/tungsten carbide upper and lower
Ball Bearings	Rotor shaft carried in two ball bearings. Double row contact lower bearing capable of carrying high thrust and radial loads. Oversized deep groove single row upper bearing. Bearings enclosed with high temperature grease containing special anti-corrosion additive
Power Cable	Waterproof/oil proof, rubber-insulated, neoprene-sheathed copper conductor flexible cable. Type SOOW in North America, EPR in the Middle East and HO7RN in the EU. 6 Core or Control cable with thermal overloads optional.



GLOBAL PUMP
 10162 East Coldwater Road, Davison, MI 48423
 Tel: 810.653.4828 Fax: 810.658.0632
1.866.360.PUMP www.globalpump.com