

INCH  
DIMENSIONS IN  
[ ] ARE METRIC

3RD ANGLE PROJECTION

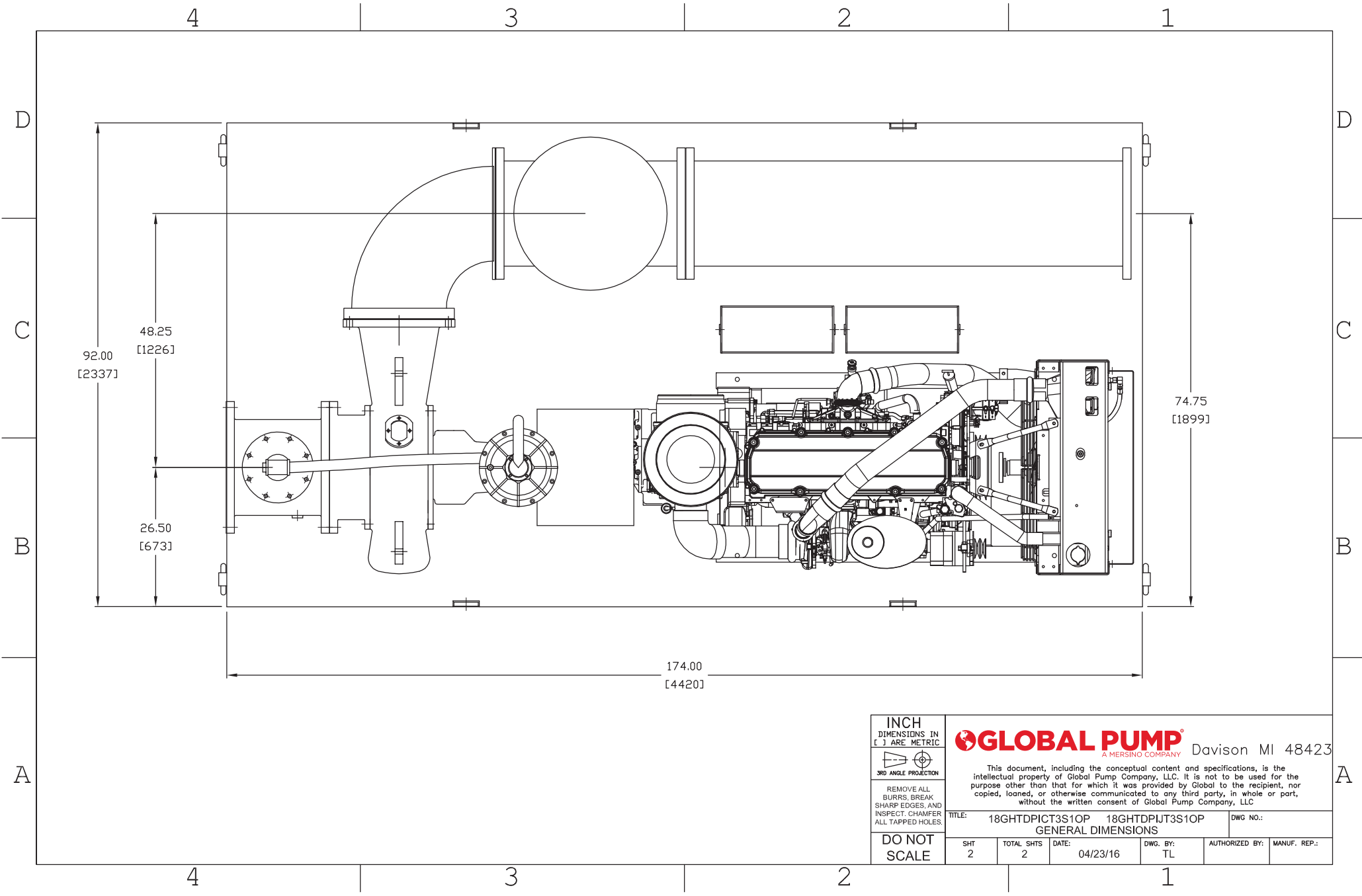
REMOVE ALL  
BURRS, BREAK  
SHARP EDGES, AND  
INSPECT, CHAMFER  
ALL TAPPED HOLES.

**GLOBAL PUMP**  
A MERSINO COMPANY Davison MI 48423

This document, including the conceptual content and specifications, is the intellectual property of Global Pump Company, LLC. It is not to be used for the purpose other than that for which it was provided by Global to the recipient, nor copied, loaned, or otherwise communicated to any third party, in whole or part, without the written consent of Global Pump Company, LLC.

|  |              |                |             |
|--|--------------|----------------|-------------|
| TITLE: 18GHTDP ICT3S1OP 18GHTDP IJT3S1OP |              | DWG NO.:       |             |
| GENERAL DIMENSIONS                       |              |                |             |
| SHT 1                                    | TOTAL SHTS 2 | DATE: 04/23/16 | DWG. BY: TL |
| AUTHORIZED BY:                           |              | MANUF. REP.:   |             |

DO NOT  
SCALE



INCH  
DIMENSIONS IN  
[ ] ARE METRIC

3RD ANGLE PROJECTION

REMOVE ALL  
BURRS, BREAK  
SHARP EDGES, AND  
INSPECT. CHAMFER  
ALL TAPPED HOLES.

**GLOBAL PUMP**  
A MERSINO COMPANY

Davison MI 48423

This document, including the conceptual content and specifications, is the intellectual property of Global Pump Company, LLC. It is not to be used for the purpose other than that for which it was provided by Global to the recipient, nor copied, loaned, or otherwise communicated to any third party, in whole or part, without the written consent of Global Pump Company, LLC

|  |              |                |             |
|--|--------------|----------------|-------------|
| TITLE: 18GHTDPICT3S10P 18GHTDPIJT3S10P |              | DWG NO.:       |             |
| GENERAL DIMENSIONS                     |              |                |             |
| SHT 2                                  | TOTAL SHTS 2 | DATE: 04/23/16 | DWG. BY: TL |
| AUTHORIZED BY:                         |              | MANUF. REP.:   |             |

DO NOT  
SCALE