

INCH  
DIMENSIONS IN  
[ ] ARE METRIC

3RD ANGLE PROJECTION

REMOVE ALL  
BURRS, BREAK  
SHARP EDGES, AND  
INSPECT, CHAMFER  
ALL TAPPED HOLES.

DO NOT  
SCALE

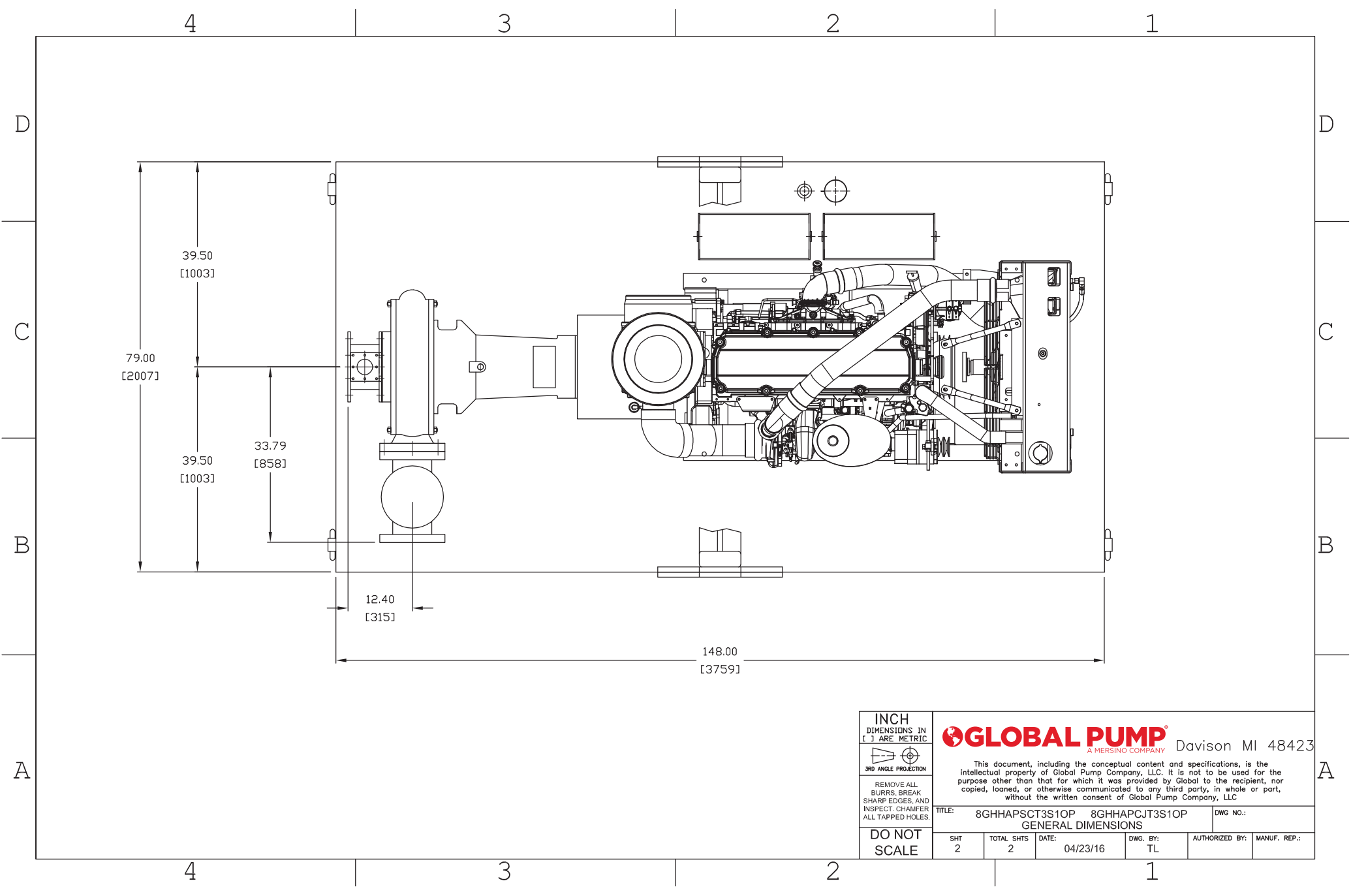
**GLOBAL PUMP**  
A MERSINO COMPANY Davison MI 48423

This document, including the conceptual content and specifications, is the intellectual property of Global Pump Company, LLC. It is not to be used for the purpose other than that for which it was provided by Global to the recipient, nor copied, loaned, or otherwise communicated to any third party, in whole or part, without the written consent of Global Pump Company, LLC

TITLE: 8GHHAPSCT3S10P 8GHAPCJT3S10P  
GENERAL DIMENSIONS

SHIT 1	TOTAL SHITS 2	DATE: 04/23/16	DWG. BY: TL	AUTHORIZED BY:	MANUF. REP.:
-----------	------------------	-------------------	----------------	----------------	--------------

DWG NO.:



INCH  
DIMENSIONS IN  
[ ] ARE METRIC

3RD ANGLE PROJECTION

REMOVE ALL  
BURRS, BREAK  
SHARP EDGES, AND  
INSPECT. CHAMFER  
ALL TAPPED HOLES.

DO NOT  
SCALE

**GLOBAL PUMP**  
A MERSINO COMPANY Davison MI 48423

This document, including the conceptual content and specifications, is the intellectual property of Global Pump Company, LLC. It is not to be used for the purpose other than that for which it was provided by Global to the recipient, nor copied, loaned, or otherwise communicated to any third party, in whole or part, without the written consent of Global Pump Company, LLC.

TITLE: 8GHHAPSCT3S10P 8GHHAPCJT3S10P		DWG NO.:	
GENERAL DIMENSIONS			
SHT 2	TOTAL SHTS 2	DATE: 04/23/16	DWG. BY: TL
AUTHORIZED BY:		MANUF. REP.:	